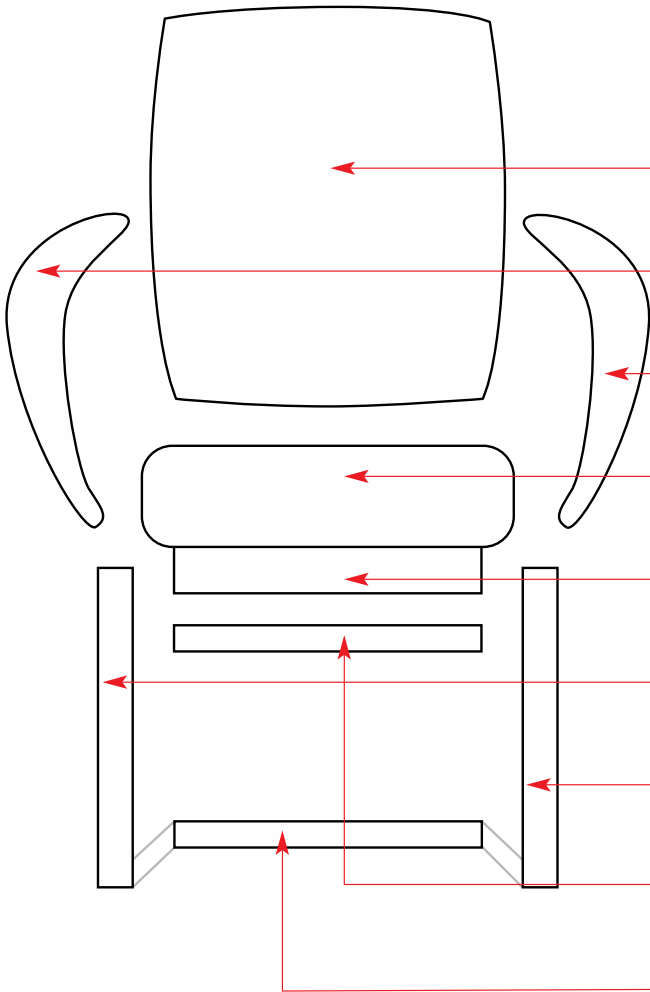


PRODUCT	SPIN BARSTOOL	6977
---------	---------------	------



BACKREST	Z6977S (back/seat one piece)
ARM <i>RH when seated</i>	N/A
ARM <i>LH when seated</i>	N/A
SEAT	Z6977S (back/seat one piece)
UNDERSIDE FRAME	Z6977BP (BASEPLATE), Z6977C (LEG CONNECTOR)
FRAME <i>RH when seated</i>	N/A – SINGLE LEG Z6977L
FRAME <i>LH when seated</i>	N/A – SET OF LEGS - Z6977L-S
CROSS BAR <i>FRONT</i>	N/A
CROSS BAR <i>REAR</i>	N/A

FIXINGS	M6 * 30mm Screws x5, M6*45mm Screws x2, M6*15 washers x5, Allen key
---------	---

UNIQUE PARTS	Also have a square footrest to attach to the legs (code Z6977FR) and
--------------	--

NOTES	
-------	--